

# TAMRON

NEW

## Fast & Compact



3mm  91°



5mm  53°



6mm  44°



8mm  33°

## 1/3 3.0-8mm F/1.0 ASPHERICAL VARI-FOCAL

### Super Dynamic Aperture Range with F/1.0 Aperture

From dusk and into the night, and in dark indoor locations, the fast F/1.0 maximum aperture of the Tamron 3.0-8mm provides remarkable image quality in low light. Letting in twice as much light as the standard F/1.4, the new lens becomes tremendously versatile due to its F/1.0 aperture. The lens performs just as effectively under burning midday sun since the aperture stops down to F/360. This dynamic range allows just one lens to be used in an area where lighting conditions may change drastically during a 24-hour period, yet excellent image quality can be constantly maintained.

### Aspherical Technology

The lens delivers superb corner to corner sharpness through the incorporation of Aspherical elements that reduce and eliminate distortion. In addition, the optical design is optimized with superior multi-coating to reduce flare and ghosting.

### Expanded Angle of View

The expanded wide-angle setting from the standard 3.5mm to a wider 3mm makes the lens more versatile for security applications. This seemingly small difference in millimeters provides more than 90° in angle-of-view, 20° more than standard models.

### Enhanced Compact Design

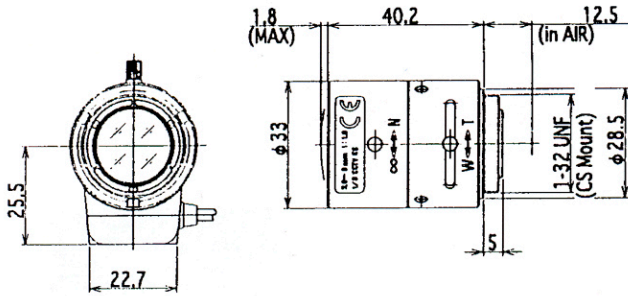
The 3.0-8mm fits easily into housings due to its compact size at only 1.6" long. The new lens also incorporates three locks for iris, focus and zoom.

\* Available in Manual, DC, and Auto Iris versions

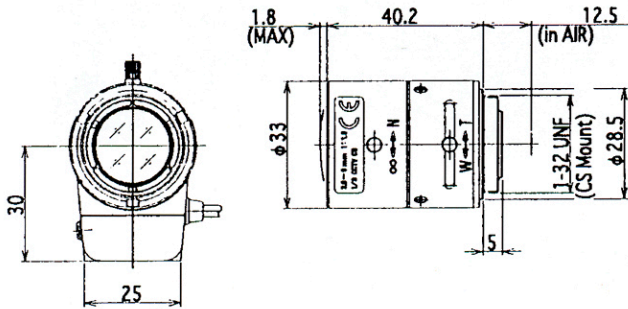
# TAMRON

Vari-Focal 1/3" 3.0-8mm  
F/1.0 Aspherical

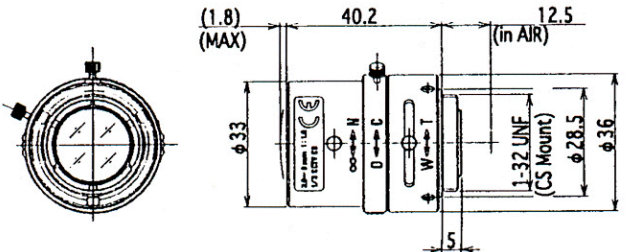
# Specifications



1/3" 3.0-8mm F/1.0-360  
CS Mount  
DC Auto Iris



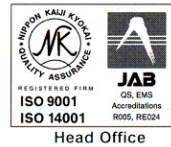
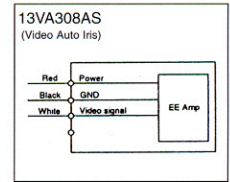
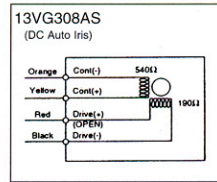
1/3" 3.0-8mm F/1.0-360  
CS Mount  
Video Auto Iris



1/3" 3.0-8mm F/1.0-close  
CS Mount  
Manual Iris

	13VM308AS (Manual Iris)	13VG308AS (DC Auto Iris)	13VA308AS (Video Auto Iris)
Imager Size	1/3", 1/4"		
Mount Type	CS		
Focal Length	3.0-8mm		
Aperture Range	1.0-close	1.0-360	
Angle Of View	1/3"	Wide 91° X 67° / Tele 36° X 27°	
Horizontal x Vertical	1/4"	Wide 67° X 49° / Tele 27° X 20°	
Focusing Ring	0.2 - ∞		
Operation	Focus	Manual (W/Lock)	
	Zoom	Manual (W/Lock)	
	Iris	Manual (W/Lock)	Auto Iris (DC)
Filter Size	—		
Back Focus	8.36mm		
Iris Operating Voltage	—	Open 4V / Close 0.5V	—
Input Power (Max Power Consumption)	—	—	DC8.5 - 16V (50mA)
A.L.C.	—	—	Average Peak
Weight	38.4g	45.5g	50.0g
Operating temperature	-20 ~ +60° C		

## Wiring Diagram



**ISO 9001 Certified**  
Tamron operates a quality management system that has been certified as conforming to ISO9001.

**ISO 14001 Certified**  
Tamron operates an environmental management system that has been certified as conforming to ISO14001.

VISION WITH PRECISION  
**TAMRON**